



Full Height Turnstile **TX 1500**



quality
modern
competitive

digicon
beyond **technology.**

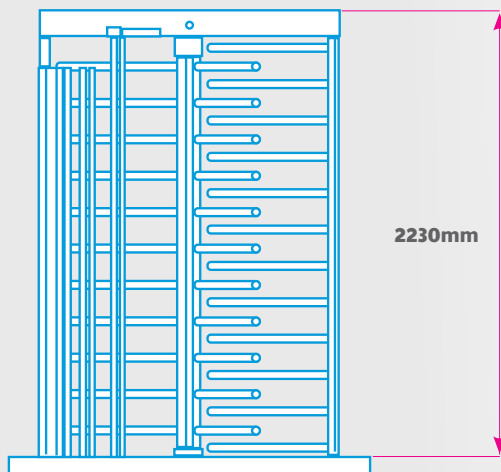


- ▶ Three arm, bi-directional turning mechanism. Locks activated by optical sensors and electromagnets for low maintenance in any environment.
- ▶ Full round base reduces vibration, thereby increasing mechanical and electronic life spans.
- ▶ Manufactured with high strength square steel tubing. Welded arms and structure provides for the highest level of security and protection against vandalism and unauthorized intrusion.
- ▶ Electrolytic zinc, electrophoresis base paint and epoxy powder coating makes the TX 1500 ideal for indoor, outdoor and aggressive environments.
- ▶ Locking mechanism based on the unique and internationally proven technology of electromagnets.
- ▶ 6 Central arms in stainless steel for increased resistance and cleanliness on user touched surfaces.
- ▶ Special supports on the top cover ease the integration process with electronics and other security devices.
- ▶ Security key lock to access top cover.
- ▶ Safety device on top cover avoids unwanted accidents during installation and maintenance.
- ▶ Supplied dismantled for easy installation and reduced transport costs.
- ▶ Pictograms also available as an optional item.

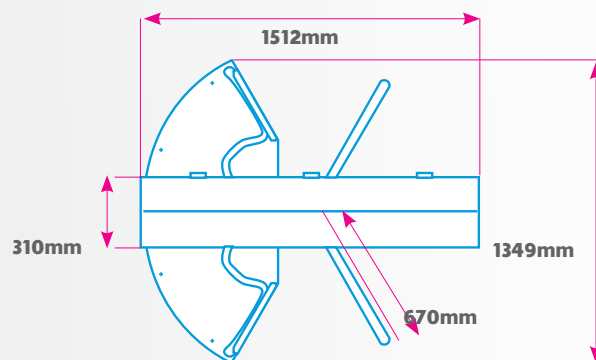


Option in mild steel with epoxy powder coating over heavy duty electrophoretic prime

DIMENSIONS



Please mind a free span of 300mm over the turnstile to open top over.



Dimensions may vary up to 10mm.

digicon
beyond technology.



+55 51 3489 8793
www.digicon.com.br
[/digicontecnologia](https://www.facebook.com/digicontecnologia)
[/company/digiconsa](https://www.linkedin.com/company/digiconsa)

www.digicon.com.br
Rua Nissin Castiel, 640 • Gravataí • RS
CEP 94045-420 • (51) 3489 8900